



HondaOdyssey

standard features of both conversions

FLEX Floor (universal floor for both ramp styles)
E-coated for corrosion resistance
12 3/4" maximum drop
Most floor length and width of any VMI conversion
PowerKnee™ optimized for reliability & noise reduction
Patented independent rear suspension*
FMVSS 301R compliant

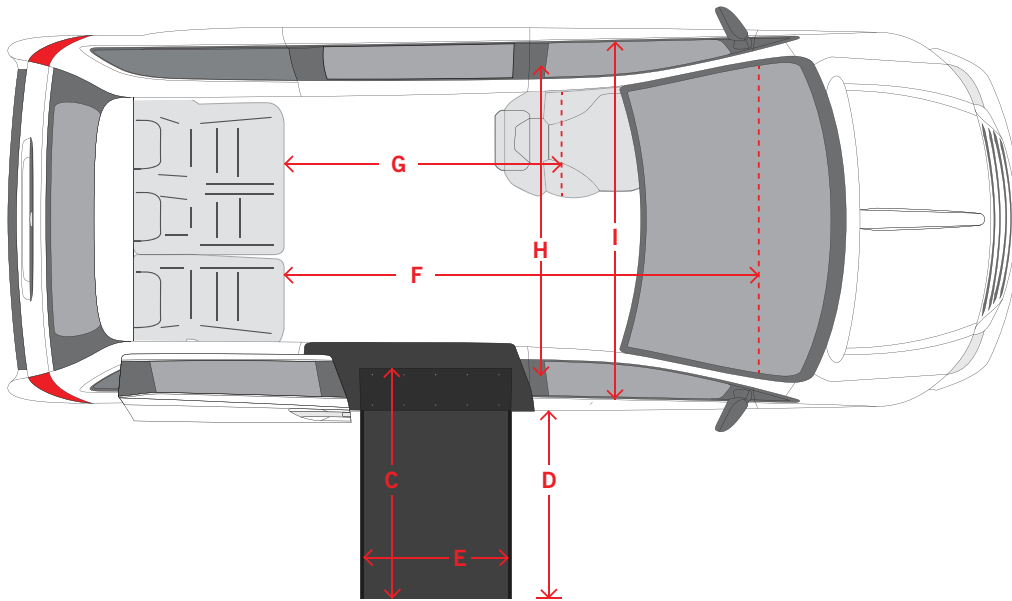
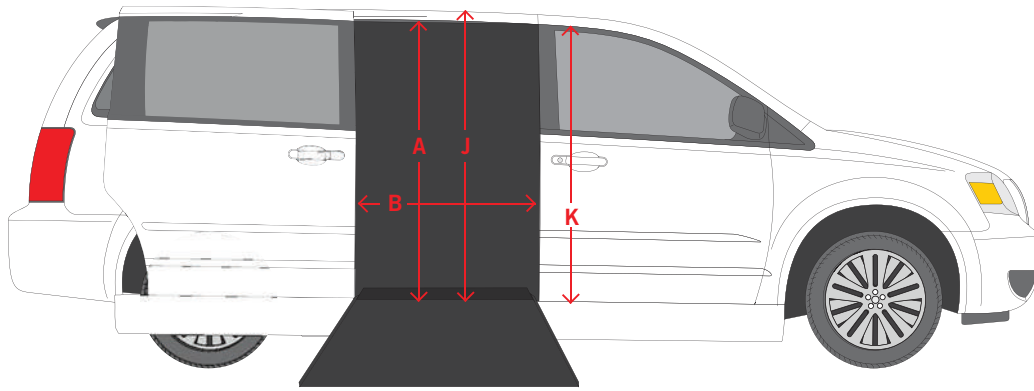
*US Pat 7,837,203

conversion specifications

The Northstar in-floor ramp has a 750lb. load rating and 8.0° ramp angle
The Summit fold-out ramp has a 600lb. load rating and 10.0° ramp angle

imaginepossibilities 

855VMI-VANS • vmivans.com



hondaspecifications

northstar

summit

	northstar	summit
A Door Opening Height	55"	55"
B Door Opening Width	30.75"	30.75"
C Ramp Length (angled ramp and transition plate)	59"	49.5"
D Ramp Length (distance ramp protrudes from vehicle)	43"	39"
E Usable Ramp Width	30"	28.9"
F Overall Floor Length	91.5"	91.5"
G Length (from back seat bases to kickplate)	61.75"	61.75"
H Floor Width at B Pillar	60"	60"
I Floor Width at Front Doors	60.5"	60.5"
J Interior Height at Center Position	60"	60"
K Interior Height at Driver's Position	57.25" (w/o sunroof)	57.25" (w/o sunroof)

Specifications subject to change without notice.